

# Instructions

1  
Ax2  
Fx2

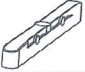




2  
Cx3  
Bx1  
Fx1  
Ix2

3  
Dx3  
Gx3

4  
Ex1  
Hx1  
Jx1

5  
Bx1  
Jx2

6  
Kx3

NO	Qty	Sketch
A	2	19X750mm
B	2	22X750mm
C	3	25X750mm
D	3	22X750mm
E	1	22X775mm
F	3	
G	3	
H	1	
I	2	
J	3	
K	3	